

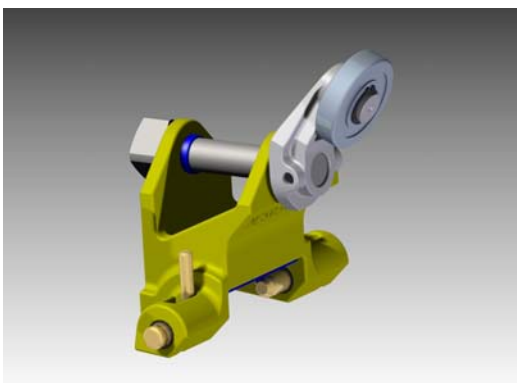
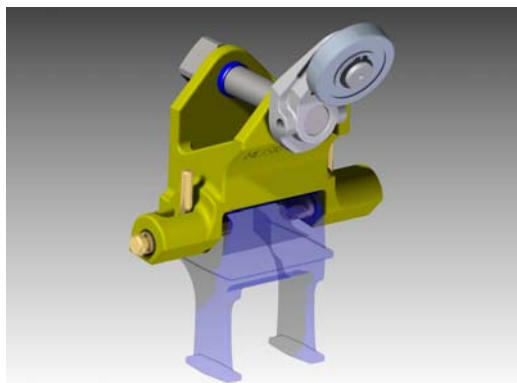
Vortok Stressing Roller - e clip for Heavy Haul -

ENGINEERING SOLUTIONS FOR RAILWAY MAINTENANCE

- Even Distribution of Stress
- Significant Cost Reduction
- Quick Operation
- Improved Safety

Improving the rail stressing process

Vortok Stressing Rollers (VSRs) system is a very fast fit and fast removal roller system designed to reduce, friction during stressing operations. It replaces under-rollers and side-rollers and can be used on all rail profiles; curves, straights, cants etc on CWR, irrespective of the sleeper material. The system offers higher productivity with a significant reduction in manpower and achieves time-savings of up to more than 2 hours on a standard 900m stressing operation. The VSRs provide a very safe method of stressing with a hugely reduced risk of damage to hands and insulators.



Vortok International

Innovation House
3 Western Wood Way
Langage Science Park
Plymouth, Devon, UK
PL7 5BG

Phone: +44 (0)1752 349200
Fax: +44 (0)1752 338855
E-mail: sales@vortok.co.uk
Website: www.vortok.co.uk

Vortok Stressing Rollers



ENGINEERING SOLUTIONS FOR RAILWAY MAINTENANCE

Improving the Process

In a stressing procedure, an operator will use a jack to lift the rail from an unclipped sleeper. A second operator will insert the under rollers before the rail is allowed to drop back down. This whole procedure is fraught with risks; Has the rail pad adhered to the underside of the rail? Is the second operators hand clear? Is the roller damaged? Has the rail come to rest on an insulator?

The action of dropping the rail onto the under rollers also causes them to fail very quickly.

Vortok's stressing Roller remove all of these issues from the process

Method	Operational life expectancy	Low friction enabling even distribution of stress along rail length	Hands <u>do not</u> need to be placed under the rail	Rollers used to lift rail	Rollers will support rail laterally
Vortok Stressing Rollers (VSR)	75+ Fully serviceable				
Traditional under rollers	5			Jack required to lift rail	Separate side rollers required



Cost Saving

Significant cost savings of up to 75% can be achieved over the life cycle of the Vortok Stressing Rollers.

Safety

Significant safety improvement for track workers - no need to place hands under rail.

Vortok International

Innovation House
3 Western Wood Way
Langage Science Park
Plymouth, Devon, UK
PL7 5BG

Phone: +44 (0)1752 349200
Fax: +44 (0)1752 338855
E-mail: sales@vortok.co.uk
Website: www.vortok.co.uk



VORTOK International is the trading name of the Multiclip Company Ltd
The Multiclip Company Ltd is a member of the PANDROL Group of Companies

VORTOK is a registered trade mark

